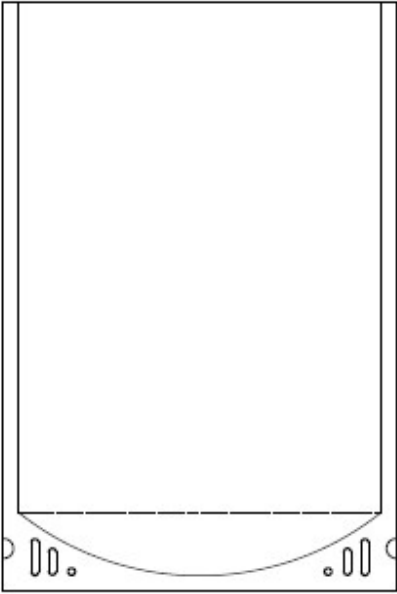


## TECHNICAL DATA SHEET

<b>Product name:</b>	PEZ DOYPACK 160x270+2x40 ZIP 750mL biały mat			
<b>Product type:</b>	Worek Doypack (U-type)			
<b>Material:</b>	FOLIA OPP20mat/PETmet12/PE100 BIAŁA MATOWA			
<b>Additional features:</b>	Easy Open	Brak	ZIP	Rogi okrągłe
<b>ZIP pre-opened:</b>	Otwarta			
<b>ZIP type:</b>	HL10SR			
<b>Bottom type:</b>	U - doypack			
<b>Print:</b>	BRAK			
<b>Fotocell marker:</b>	Nie			
<b>Packing method:</b>	Karton wyścielony PE			
<b>Pcs per box:</b>	500			
<b>Label type:</b>	Standardowa			
<b>Other remarks:</b>	zaokrąglone rogi			

Bag width	160 +/- 3mm	
Bag height	270 +/- 3mm	
Bottom size	40 +/- 3mm	
Hole height (eurohole/ bean hole/ three fingers hole)	+/- 3mm	
Easy open tearnotch position	20 +/- 3mm	
ZIP closure position	35 +/- 3mm	
Seals width	8 +/- 3mm	

Date: 2026-03-19